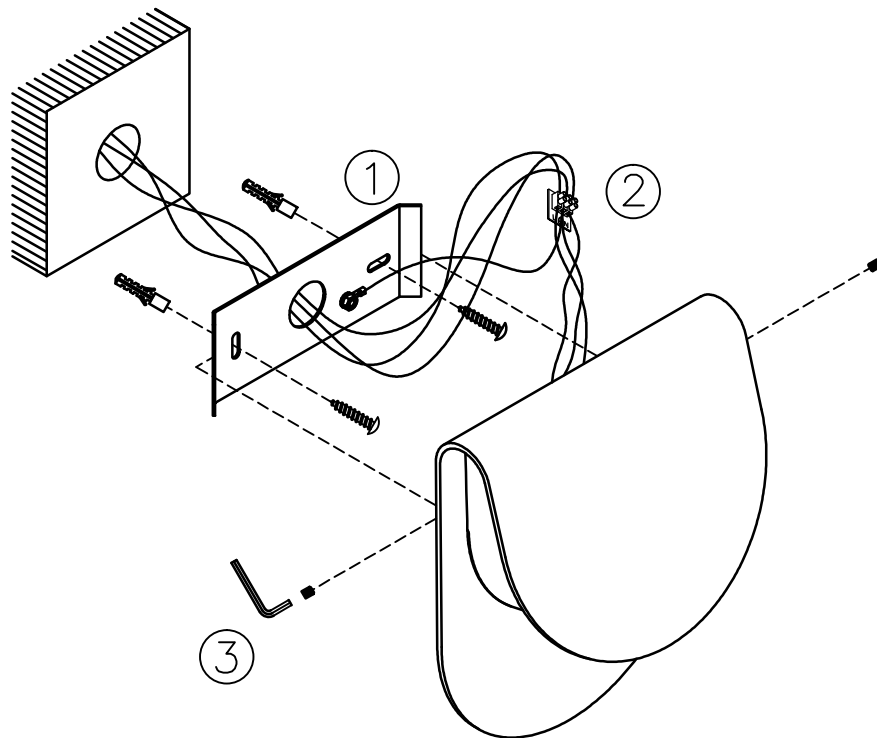
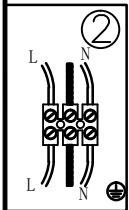
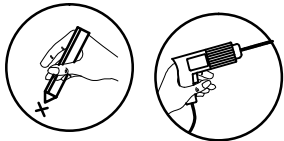


# Instruction for Installation



LWA0040A